

# PRODUCT INFORMATION PACKET

Model No: 056T11O5308  
Catalog No: X522  
1,1140,OPEN,56Y,3/60/575  
Condenser Fans



Regal and Marathon are trademarks of Regal Beloit Corporation or one of its affiliated companies.

©2018 Regal Beloit Corporation, All Rights Reserved. MC017097E





### Nameplate Specifications

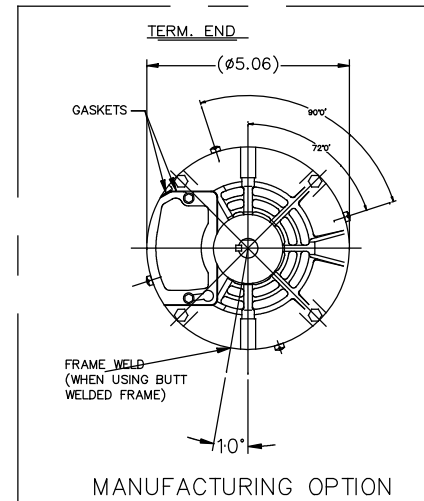
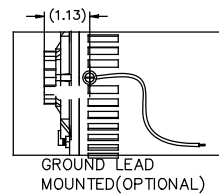
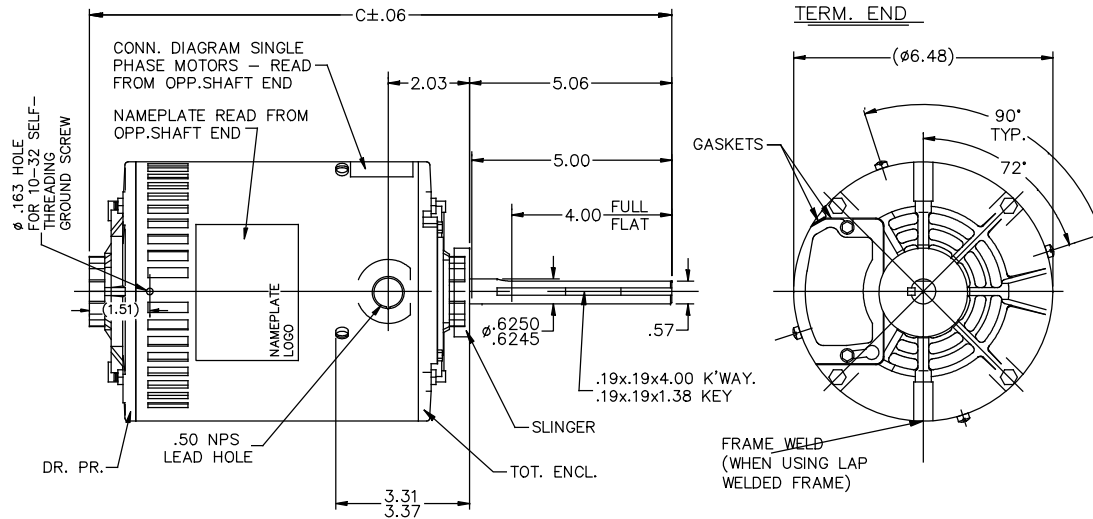
Output HP	<b>1 Hp</b>	Output KW	<b>0.75 kW</b>
Frequency	<b>60 Hz</b>	Voltage	<b>575 V</b>
Current	<b>1.7 A</b>	Speed	<b>1140 rpm</b>
Service Factor	<b>1</b>	Phase	<b>3</b>
Efficiency	<b>75.5 %</b>	Duty	<b>Continuous</b>
Insulation Class	<b>H</b>	Design Code	<b>NO DESIGN CODE</b>
KVA Code	<b>K</b>	Frame	<b>56Y</b>
Enclosure	<b>Open Air Over</b>	Overload Protector	<b>Auto Lock Rotor Only</b>
Ambient Temperature	<b>70 °C</b>	Drive End Bearing Size	<b>6203</b>
Opp Drive End Bearing Size	<b>6203</b>	UL	<b>Recognized</b>
CSA	<b>Y</b>	CE	<b>N</b>
IP Code	<b>10</b>		

### Technical Specifications

Electrical Type	<b>Squirrel Cage Induction Run</b>	Starting Method	<b>Across The Line</b>
Poles	<b>6</b>	Rotation	<b>Reversible</b>
Mounting	<b>Round Belly Band</b>	Motor Orientation	<b>Horizontal</b>
Drive End Bearing	<b>Ball</b>	Opp Drive End Bearing	<b>Ball</b>
Frame Material	<b>Rolled Steel</b>	Shaft Type	<b>Single Special Extension</b>
Overall Length	<b>15.06 in</b>	Frame Length	<b>7.56 in</b>
Shaft Diameter	<b>0.625 in</b>	Shaft Extension	<b>5.06 in</b>
Assembly/Box Mounting	<b>F1 Only</b>		
Outline Drawing	<b>A-100327-756</b>	Connection Diagram	<b>A-EE7335B</b>

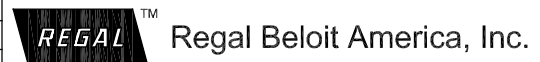
This is an uncontrolled document once printed or downloaded and is subject to change without notice. Date Created: 07/02/2018

100327



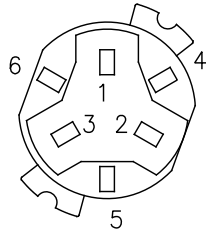
DASH	FRAME	C	DASH	FRAME	C
656	56-65	14.06	856	56-85	16.06
706	"-70	14.56	906	"-90	16.56
756	"-75	15.06	956	"-95	17.06
806	"-80	15.56			

NO.	REVISION	BY & DATE	CHK	ANG	TOLERANCES UNLESS SPECIFIED	FINISH	PREV
7	ADDED BUTT WELD VIEW	MDP 04-17-2017			DEC. INCHES		DRAWN GK 03-24-1989
6	MOVED FR. WELD TO 6:00	MDP 04-06-2017					CHK MB 03-27-1989
5	ADDED OPTIONAL VIEW FOR GRD LEAD	SVL 09-17-2012	ML	.X	±.1		APPD FG 03-27-1989
4	REDRAWN IN AUTOCAD	TAT 08-03-2004		.XX	±.03	TITLE OUTLINE	SCALE 3=8
3	CLARIFIED FRAME PLUG LOCATION CN 24300-165	MH 08-27-1997		.XXX	±.005		REF
2	CHANGED LOC. OF SCREW ON FRAME CN 21725-737	PGK 08-12-1996		.XXXX	±.0005	MAT'L.	FMF



THIS DRAWING IN DESIGN AND DETAIL IS OUR PROPERTY AND MUST NOT BE USED EXCEPT IN CONNECTION WITH OUR WORK ALL RIGHTS OF DESIGN AND INVENTION ARE RESERVED THIS IS AN ELECTRONICALLY GENERATED DOCUMENT - DO NOT SCALE THIS PRINT				RFP	CAD FILE 100327	SIZE A	DRAWING NO. 100327	PAGE OF	REV. 7
				DIST WP					

SINGLE VOLTAGE – THREE PHASE WITH OVERLOAD PROTECTOR

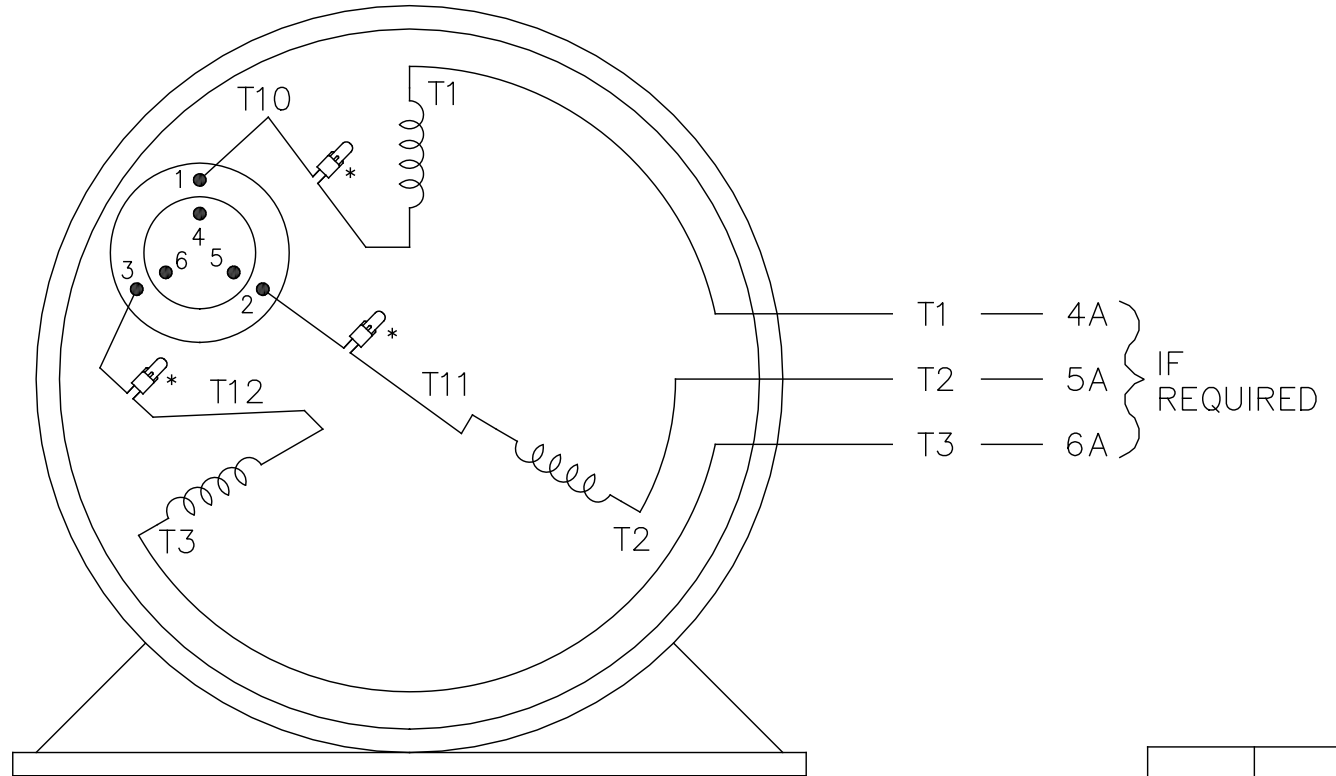


NOTE:  
ACTUAL PROTECTOR  
TERMINAL LOCATIONS  
FOR LEAD CONNECTIONS

NOTE:

WEST PLAINS

LEADS WITH TERMINALS  
SHOULD BE CONNECTED  
TO INBOARD SIDE OF  
TERMINAL BOARD.



–TO REVERSE ROTATION–  
INTERCHANGE ANY TWO  
LINE LEAD CONNECTIONS

VIEW OF TERMINAL END

OPTIONAL CORD  
CONNECTION

L1 — WHITE —  
L2 — RED —  
L3 — BLACK —

		T6CK
T6CA	T6BM	
T4CC	T4AY	
T4C	T2DL	
T6D	T2H	

\* USE PRESSURE CONNECTORS FOR MT2 PLANT ONLY

NO.	REVISION	BY & DATE	CHK	ANG	±	–	FINISH	PREV
11	ADDED THE OPTIONAL CORD CONNECTION	JAH 11-12-2014	RD					
10	PRESSURE CONNECTORS ADDED (QTY 3)	PVR 07-09-2014	GR					
9	ADDED 4A, 5A, & 6A "IF REQUIRED" MU44987	MSG 01-07-2002	SAS	.X	±	–		
8	ADDED ACTUAL PROTECTOR VIEW CN 17481	KL 05-18-1994		.XX	±	–	TITLE CONNECTION DIAGRAM	SCALE 1=1
7	REWORDED WEST PLAINS NOTE – PER WEST PLAINS	DD 01-12-1994		.XXX	±	–	SINGLE VOLT – 3Ø WITH OVERLOAD PROT.	REF
6	REDRAWN ON CAD – "WEST PLAINS" NOTE ADDED	KL 08-26-1993		.XXXX	±	–	MAT'L.	FMF



THIS DRAWING IN DESIGN AND DETAIL IS OUR PROPERTY AND MUST NOT BE USED EXCEPT IN CONNECTION WITH OUR WORK ALL RIGHTS OF DESIGN AND INVENTION ARE RESERVED THIS IS AN ELECTRONICALLY GENERATED DOCUMENT – DO NOT SCALE THIS PRINT

RFP	CAD FILE EE7335B	SIZE A	DRAWING NO. EE7335B	PAGE OF	REV. 11
DIST LB-WP					

